



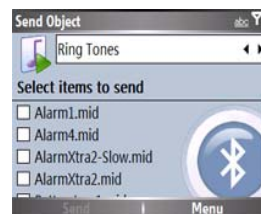
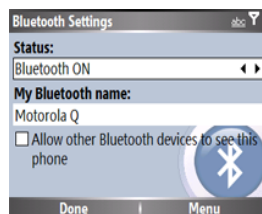
BLUETOOTH[®] COMMUNICATIONS SOFTWARE FOR WINDOWS[®] MOBILE SMARTPHONE

FEATURES

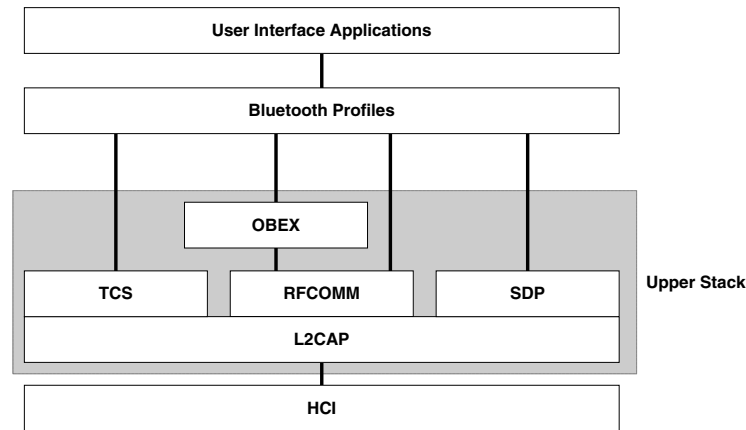
- **Complete Bluetooth[®] 2.1 compliant protocol software for Microsoft[®] Smartphone platforms**
 - Includes integrated user interface to enable seamless Bluetooth functionality.
- **Support for UART, USB hardware implementation**
- **Supports Windows[®] Mobile Standard and Professional**
- **Bluetooth profile support includes: GAP, SPP, GOEP, DUN, FTP, OPP, HSP/Audio Gateway, HFP, HID, BIP, PAN, PBAP, SAP, SYNC, GAVDP, A2DP, VDP, and AVRCP.**
- **Legacy ActiveSync support via SPP**
- **Spy trace tool for monitoring Bluetooth activity**
- **User interface applications including Bluetooth Manager, BT PC Remote, BT Send Object, BT Print Manager and FM Tuner, if silicon supports FM.**
- **Intuitive implementation assists users in establishing Bluetooth connections to headsets, hands-free kits, personal computers, and personal digital assistants.**
- **UI supports one hand operation**
- **Integration support for audio path implementation enables voice calls to be routed to Bluetooth headsets and hands-free kits.**
- **Documentation includes OEM Interface Document and Porting Guide.**

SUMMARY OF BENEFITS

- **Complete Software Solution**
 - The BCM1000-BSP product is a complete turnkey software solution with upper-layer Bluetooth protocol stack including profile support, hardware interface drivers, user interface, and integration support to ensure the successful launch of Bluetooth Smartphones. In addition, Broadcom offers application programming interfaces (APIs) to allow third-party application providers to write Bluetooth-enabled applications for Smartphone platforms.
- **Optimized for use with Broadcom Bluetooth solutions**
 - The BCM1000-BSP product has been optimized for use with Broadcom Bluetooth silicon solutions. By offering a total software and hardware solution, Broadcom can ensure product functionality and enable fast time-to-market.
- **Interoperability Assurance**
 - Broadcom is a leader in both conformance testing and interoperability. We are the first company in the world to receive a Bluetooth Qualification Body (BQB) product listing, the first ever 1.0b qualified Bluetooth protocol stack with profiles, and a major participant at the Bluetooth Unplugfest events. Broadcom has consistently demonstrated Bluetooth wireless technology solutions between PDAs, PCs, and various embedded devices.
- **Support and Training**
 - Broadcom provides a wide array of services - from extensive technical support and product training to conformance assistance.



OVERVIEW



Bluetooth Hierarchy

The BCM1000-BSP is Broadcom's communications software for adding Bluetooth wireless technology to Microsoft® Windows Mobile Smartphone operating system handsets. Mobile phone OEMs can quickly and easily add Bluetooth capabilities to the next-generation smartphones that use the Microsoft Smartphone operating system.

This innovative software solution is fully compliant with the Bluetooth 2.1 core protocol specification and leverages Bluetooth Qualification Body conformance testing into your product.

The BCM1000-BSP is designed for Microsoft Windows Mobile and includes the Bluetooth protocol stack, application programming interfaces (APIs), hardware interface, user application programs, support and trace tools, and documentation.

The BCM1000-BSP is designed to operate on mobile phones running the Windows Mobile Smartphone operating system.

Leveraging Broadcom's BCM1200-BTE, BCM1000-BTW, and BCM1000-BTW-CE the BCM1000-BSP provides simple integration, powerful diagnostics and the shortest possible time-to-market, exactly what you expect from the experts at developing Bluetooth wireless communication solutions.

Bluetooth wireless interface complies with Bluetooth Core Specification Version 2.1.

Bluetooth profiles supported:

- Generic Access Profile (GAP)
- Serial Port Profile (SPP)
- Generic Object Exchange Profile (GOEP)
- Object Push Profile (OPP)
- File Transfer Profile (FTP)
- Dial-up Networking Profile (DUN)
- Headset Profile (HSP)
- Hands-free Profile (HFP)
- ActiveSync (via Serial Port Profile)
- Human Interface Device Profile (HID)
- Basic Imaging Profile (BIP)
- Personal Area Networking Profile (PAN)
- Phone Book Access Profile (PBAP)
- SIM Access Profile (SAP)
- Synchronization Profile (SYNC)
- Generic Audio Video Distribution Profile (GAVDP)
- Advanced Audio Distribution Profile (A2DP)
- Two concurrent A2DP streams
- Audio Video Remote Control Profile (AVRCP)
- Video Distribution Profile (VDP)

Contact Broadcom for availability of other profiles.

Operating system supported:

- Windows Mobile Smartphone

Hardware Implementation:

- UART
- USB

Bluetooth Hardware Support:

- Various Bluetooth-compliant chipsets

Target Hardware Platform:

- ARM®/StrongARM
- XScale™
- OMAP™

User Applications:

- Bluetooth manager
- Configuration panel
- PC remote
- BT print manager
- FM tuner
- RDS/RDBS Parser

Localization Support:

- English only (other languages available upon request)

Specifications subject to change without notice.

Broadcom®, the pulse logo, **Connecting everything®**, and the Connecting everything logo are among the trademarks of Broadcom Corporation and/or its affiliates in the United States, certain other countries and/or the EU. Any other trademarks or trade names mentioned are the property of their respective owners.

Connecting
everything®



BROADCOM CORPORATION

5300 California Avenue
Irvine, California 92617

© 2008 by BROADCOM CORPORATION. All rights reserved.

1000-BSP-PB08-R 05/06/08

Phone: 949-926-5000

Fax: 949-926-5203

E-mail: info@broadcom.com

Web: www.broadcom.com